

Commtech Trading Ltd

Unit OA, Time Technology Park, Blackburn Road, Simonstone, Burnley, Lancs, BB12 7TY, UK
Tel: 01254 777 987 Fax: 01282 787 790 E-mail: sales@shinnthon.c

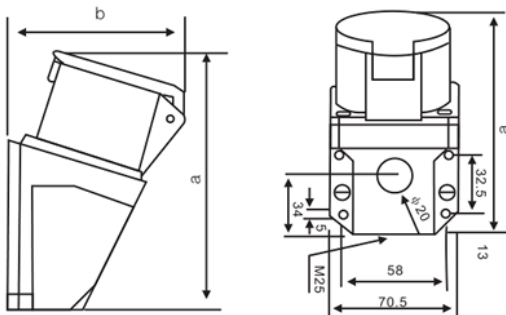
Product Datasheet

IS1026R

16A 230V 2P+E IP44 W/M SKT



Dimension:



a	126
b	86
Cable size(mm ²)	1-2.5

Specification:

Number of Pole: 2P+E
Rated Voltage: 220V~250V
Rated Current: 16A
IP Class: 44
Position of Earth Contact: 6H
Color: Blue

Complies to:



Packaging

Box Qty: 60pcs/Carton

Approvals:

Dimensions and images may differ from those shown

Commtech Trading Ltd

Unit OA, Time Technology Park, Blackburn Road, Simonstone, Burnley, Lancs, BB12 7TY, UK
Tel: 01254 777 987 Fax: 01282 787 790 E-mail: sales@shinnthon.c



Issue Date: 01/08/2019
Revision: C